

# SSPEX-DE SERIES STAINLESS STEEL PEX x FPT DROPEAR ELBOW

## SPECIFICATION:

- For use with ASTM F2769, ASTM F2023, (PE-RT) SDR9 pipe
- For use with ASTM F876 PEX pipe
- Fittings are made to ASTM F1807 standard
- Maximum Pressure Rating: 200 PSI
- Temperature Range: Up to 400°F (204°C)

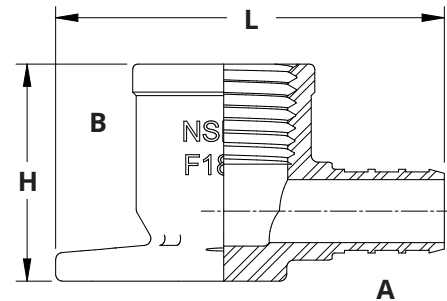
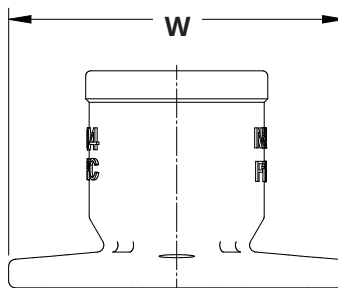


## CERTIFICATION:

- cUPC Listed
- NSF/ANSI 61 & 372 Certified
- Threads to ASME B1.20.1



MATERIAL LIST	
Name	Percent of Composition
<b>304 Stainless Steel</b>	
Iron (Fe)	64.0 - 72.0
Carbon (C)	0.08 max
Silicone (Si)	1.00 max
Manganese (Mn)	2.00 max
Phosphorus (P)	0.04 max
Sulfur (S)	0.04 max
Chromium (Cr)	18.0 - 21.0
Nickel (Ni)	8.0 - 11.0



DIMENSIONS										
Part No.	Nominal Pipe Size		L		W		H		Weight	
	A	B	inches	mm	inches	mm	inches	mm	lbs	grams
SSPEX-DE05	1/2"	1/2"	2.10	53.34	1.80	45.72	1.20	30.48	0.13	58.97
SSPEX-DE0705	3/4"	1/2"	2.10	53.34	1.85	46.99	1.20	30.48	0.17	77.11
SSPEX-DE07	3/4"	3/4"	2.30	58.42	1.80	45.72	1.40	35.56	0.22	99.79



25 Whaley Avenue, PO Box 310, Milverton, ON CANADA N0K 1M0  
Tel: 800-561-3164

[boshart.com](http://boshart.com) ♦ [blog.boshart.com](http://blog.boshart.com)